

DENSO

Bar code scanner

BAR CODE HANDY TERMINAL

BHT-7000 SERIES



DENSO

FEATURES

Advanced scanning

- The BHT-7000 employs an advanced CCD scanning system which enables fast-touch and long-range scanning of high-density bar codes.
- On scanning, a laser beam is emitted to determine the scanning range and thus facilitate easy detection of target bar code. (for BHT-7064 and 7164)

Vibrator (for BHT-7064 and 7164)

- The BHT-7000 features vibrator function as reading confirmation in addition to reading confirmation LED and beeper functions. The appropriate reading confirmation signal can then be chosen to suit your working environment.

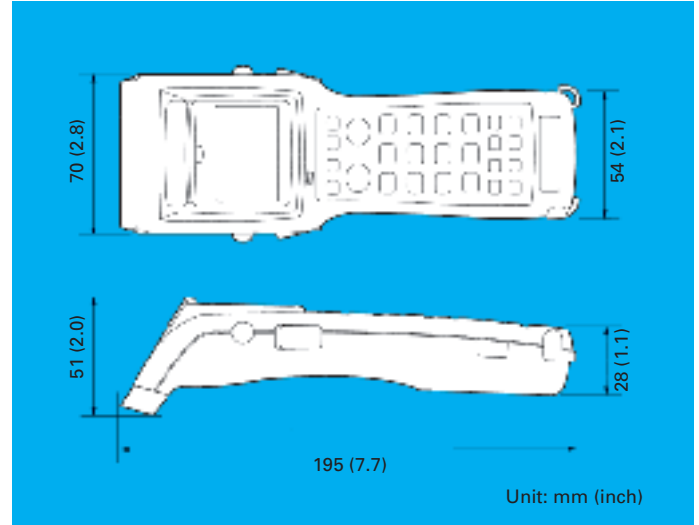
Remote wake-up function

- This function enables the BHT-7000 placed on the IrDA communications cradle CU-7001 to be operated remotely from the host computer, for instance, to run user's application programs stored in the BHT, upload collected data and update BHT master data.

IrDA communications

- With the integrated IrDA-compliant communications device, the BHT-7000 directly transfers data and programs to/from other IrDA-compliant equipment (i.e. PCs) at a speed of up to 115.2 kbps.

DIMENSIONS



BHT-7000 SPECIFICATIONS

		BHT-7064	BHT-7164	BHT-7264	BHT-7364	
Controller	CPU	32-bit RISC				
	Memory	User area: 2.5 MB				
Display	Resolution	128 x 64 dots				
	Display device	Dot-matrix, FSTN liquid crystal display (LCD)				
	Capability	Alphanumerics and Katakana	21 chars by 8 lines (standard-size) 21 chars by 10 lines (small-size)			
		Kanji characters	Full-width characters	8 chars by 4 lines (16-dot mode), 4 chars by 4 lines (16-dot mode, double width)		
			Half-width characters	10 chars by 5 lines (12-dot mode), 5 chars by 5 lines (12-dot mode, double width)		
Backlight	Yes (LED)					
Scanner	Scanning system	CCD				
	Scanning area	Max. 460 mm (18.1 inches)* Reading window size: 60 mm (2.4 inches)				
	Readable bar codes	EAN-13/8, UPC-A/E, UPC/EAN with supplemental codes, CODABAR (NW-7), ITF, STF, CODE39, CODE93, and CODE128				
	Resolution	0.125 mm (4.9 mils)				
	Reading confirmation	2-color LED (red and green), beeper, and vibrator				
	Laser guide beam	YES	YES	NO	NO	
Keypad	Vibrator	YES	YES	NO	NO	
	Number of keys	26 keys	32 keys	26 keys	32 keys	
Communications	Optical interface	Communications system	Infrared interface (IrDA-SIR1.0 compliant)			
		Transmission speed	Max. 115.2 kbps			
	Cable interface	Transmission distance	Approx. 0.8 m (31.5 inches)			
Power Supply	Main battery (selective option)	RS-232C, Max. 115.2 kbps				
		Lithium-ion battery cartridge (sold separately) or Two AA (LR6) alkaline battery cartridge (sold separately)				
Auxiliary Functions		Calendar clock, beeper, resume function, low-battery indication, and remote wake-up function				
Weight		Approx. 210 g (7.4 oz.), incl. battery cartridge				
Environmental Requirements		Operating temperature	-5°C to 50°C (23°F to 122°F)			
		Drip-proof	JIS drip-proof II			
		Drop impact strength	Drop from 1.2 m (47.2 inches) onto concrete floor			

* Scanning at a distance of 400 mm (15.7 inches) from the reading window under these conditions--narrow bar: 1.0 mm (39.4 mils) min., ambient illuminance: 500 lux. min.

CU-7001 SPECIFICATIONS

Communications	Between BHT and CU	Communications system	Infrared interface (IrDA-SIR1.0 compliant)
		Transmission speed	Max. 115.2 kbps
	Between CU and host	Synchronization	Start-stop (asynchronous)
PC interface		RS-232C	
Battery Charger	Battery in BHT-7000	Ordinary charging (4-hour charge)	
Status Indicator	LEDs	Power LED and communications LED	
Power Source		AC adapter	

- Before use, read the user's manual carefully.
- Specifications are subject to change without notice.
- Information in this catalogue is current as of September 2000.

CAUTION
LASER LIGHT-DO NOT STARE INTO BEAM
1mW MAXIMUM OUTPUT : 650nm LASER
CLASS II LASER PRODUCT
THIS DEVICE COMPLIES WITH 21 CFR CHAPTER 1, SUBCHAPTER J.

Accessories

- Hand strap

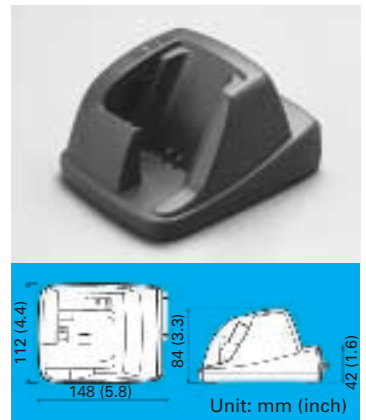
Software (optional)

These programs prepared for conventional BHT series are available.

- BHT-BASIC 3.5 Compiler
- Ir-Transfer Utility C
- Ir-Transfer Utility E

Options (sold separately)

- IrDA Communications Cradles
CU-7001
Placing the BHT-7000 on this cradle enables IrDA communications of data and programs with the host computer at a speed of up to 115.2 kbps.



CU-7002
IrDA Communications Cradle without battery charger

- C-700 Battery Charger
- B-70L Lithium-ion Battery Cartridge
- B-70D Alkaline Battery Cartridge